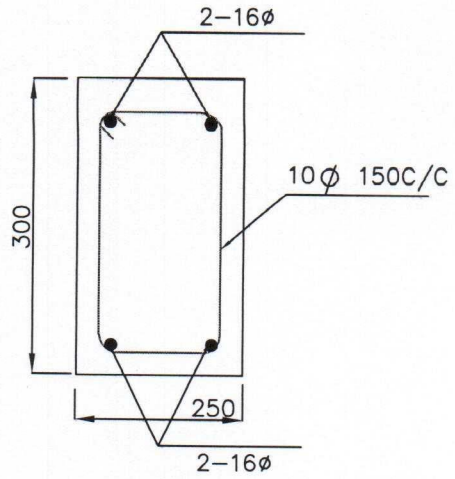
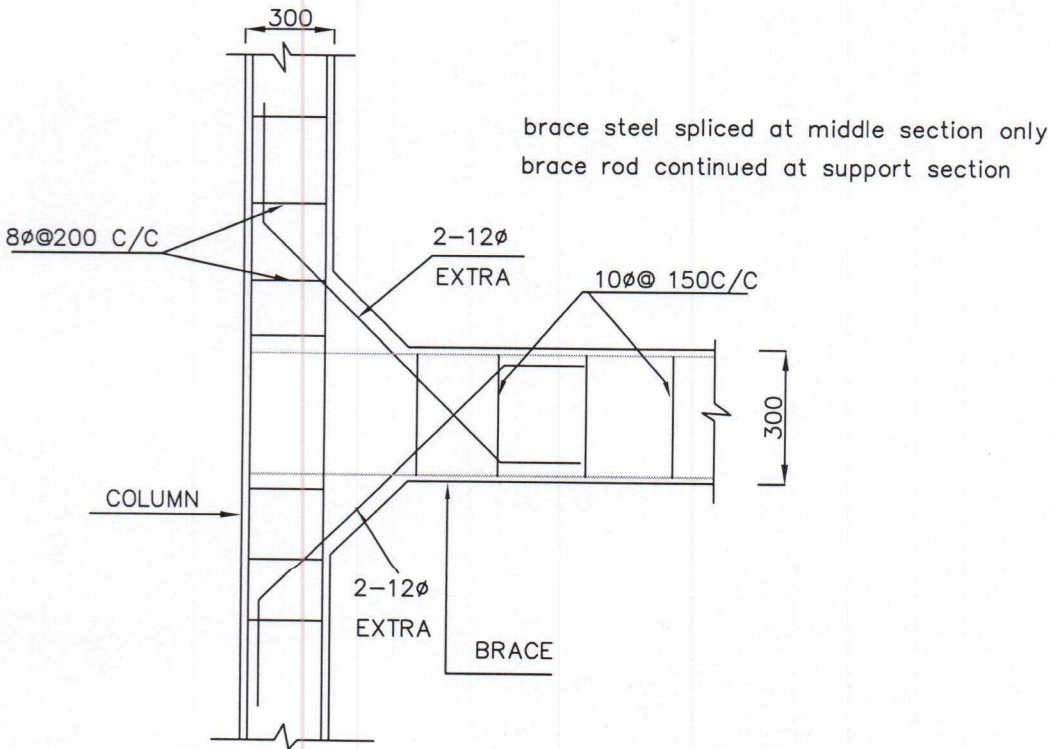


SECTION OF COLUMN

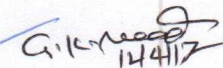


SECTION OF BRACE



COLUMN BRACE JUNCTION

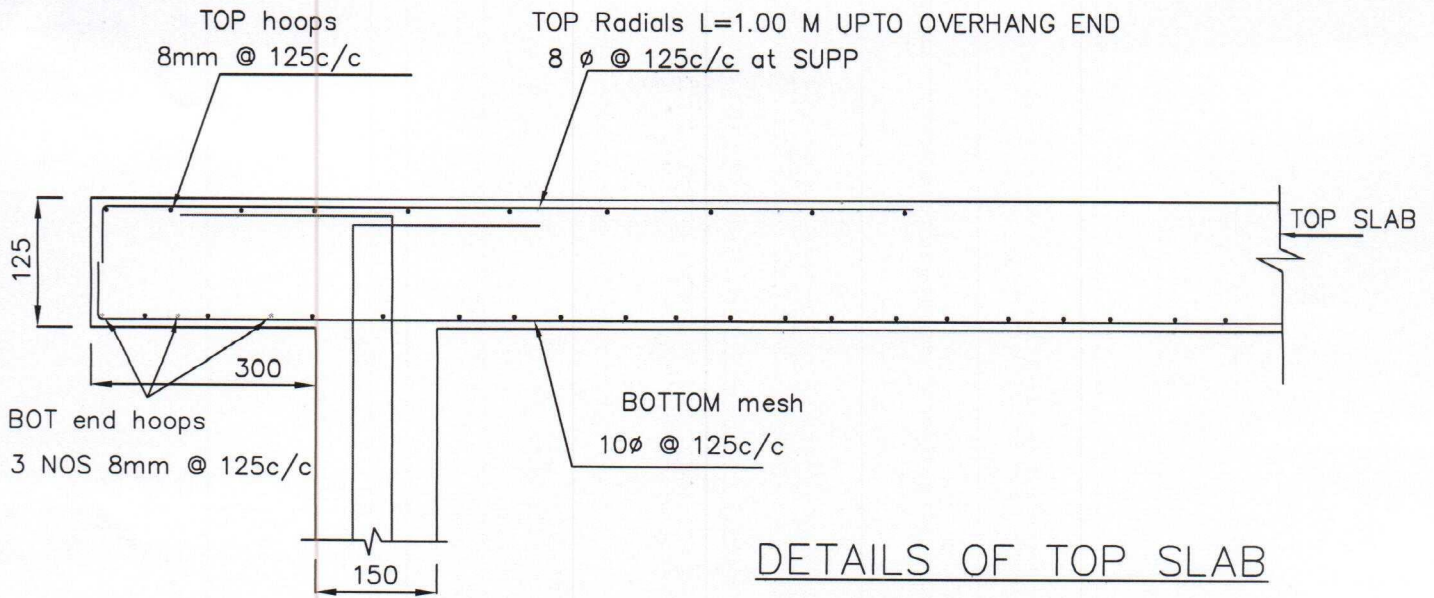
11 APPROVED 11


 CE-I, CE-II, CE-III
 TDWSP, Hyderabad.

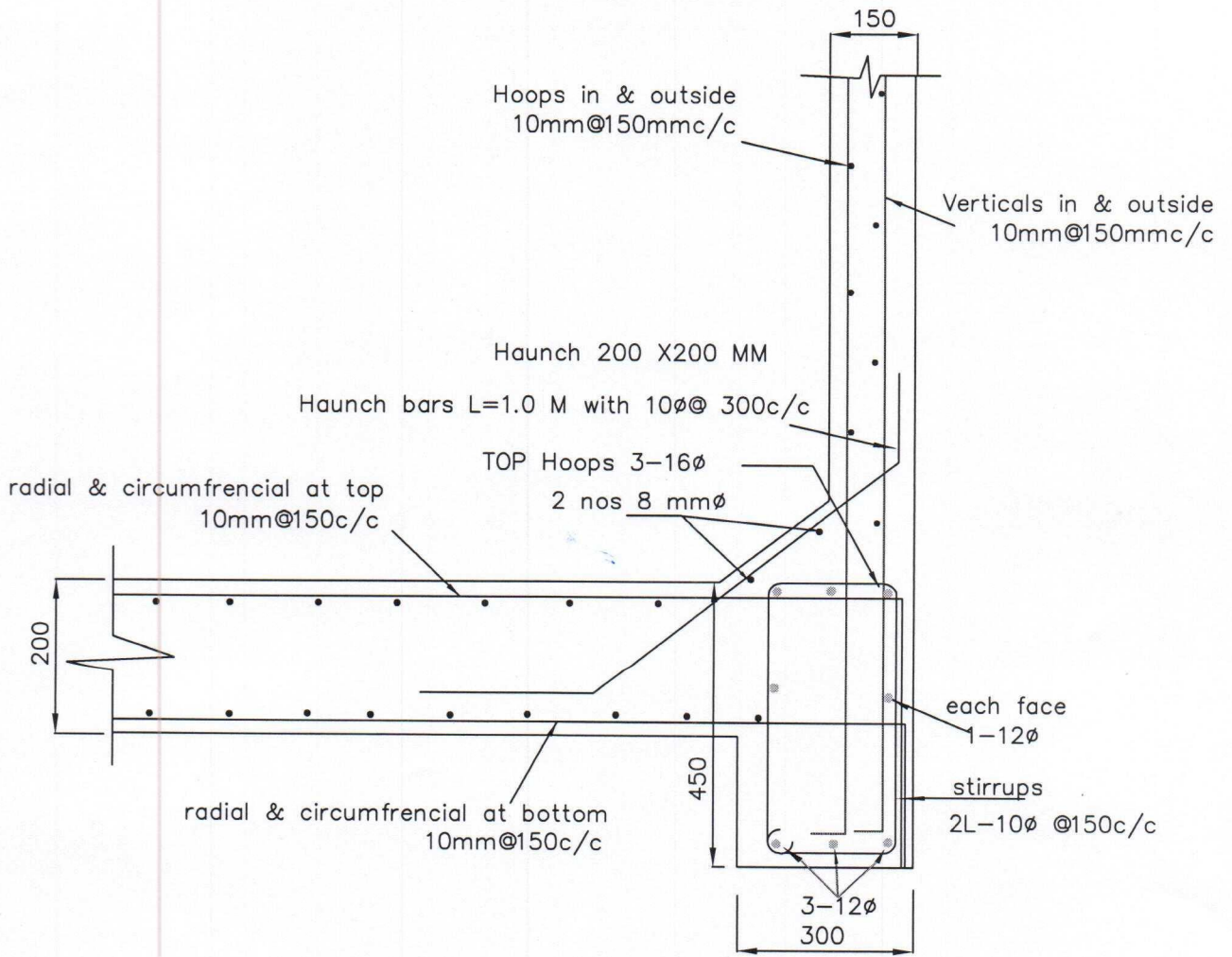



 M. S. Srinivas
 12/4/12

Government of Telangana.	
Rural Water Supply & Sanitation Department	
Construction of 15 KL capacity OHSR/OHBR 12m staging column type	
Scale: Not to scale	sheet: 2 of 8



DETAILS OF TOP SLAB

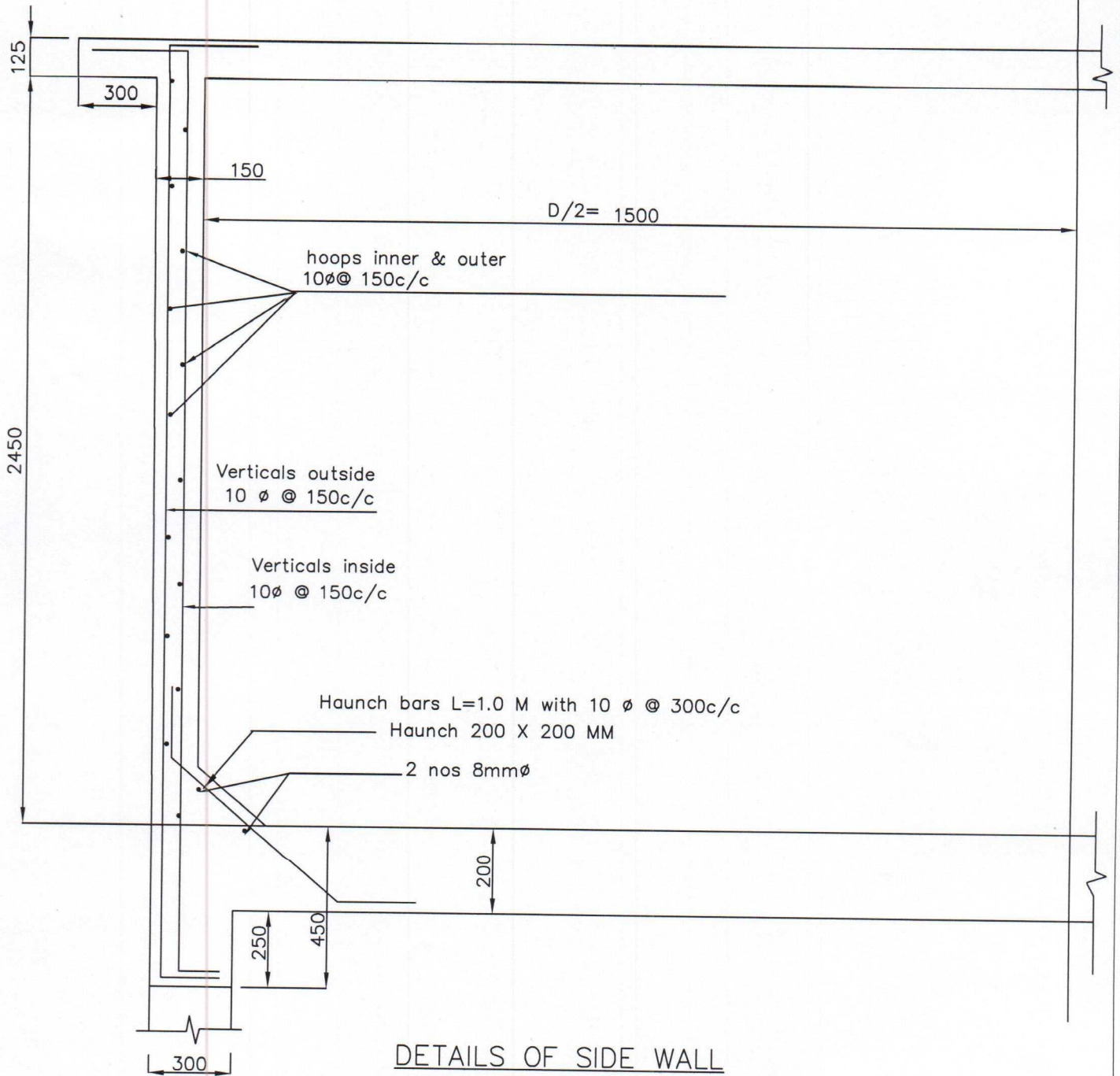


BOTTOM RING BEAM

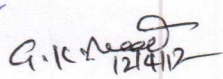
!! APPROVED !!


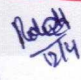

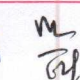
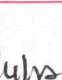
CE-I CE-II, CE-III
 TDWSP, Hyderabad.
 12/4/17
 12/4/17
 12/4/17

Government of Telangana.	
Rural Water Supply & Sanitation Department	
Construction of 15 KL capacity OHSR/OHBR 12m staging column type	
Scale: Not to scale	sheet: 3 of 8

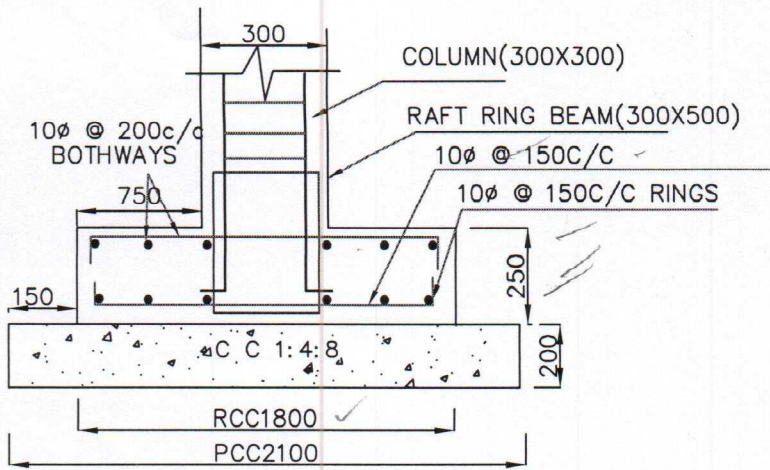


|| APPROVED ||

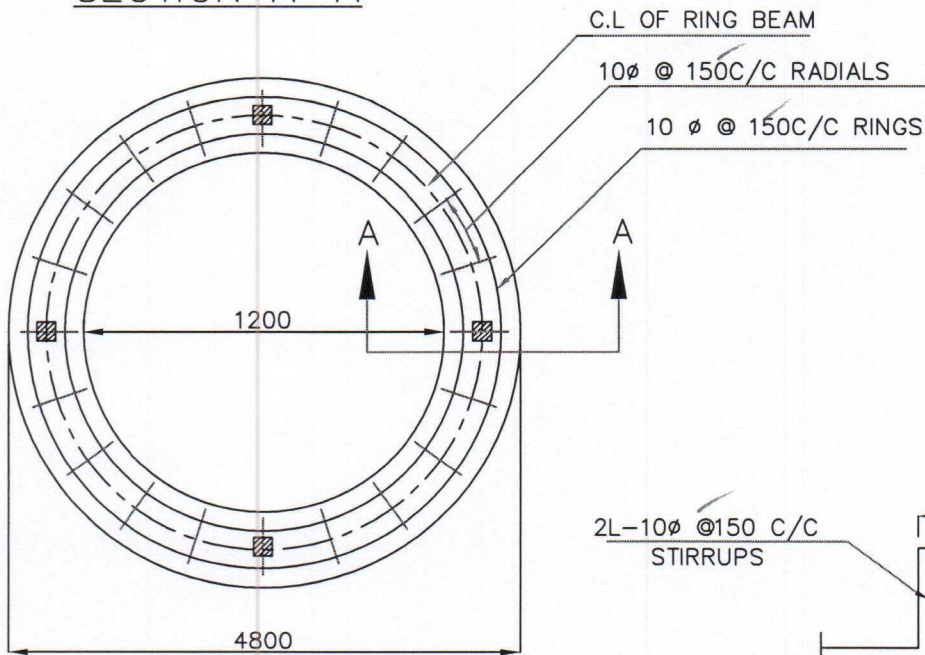

 G.K. Reddy
 12/4/12
 CE-I , CE-II , CE-III
 TDWSP, Hyderabad.






 P. K. Reddy
 12/4
 18/4
 M
 E 13

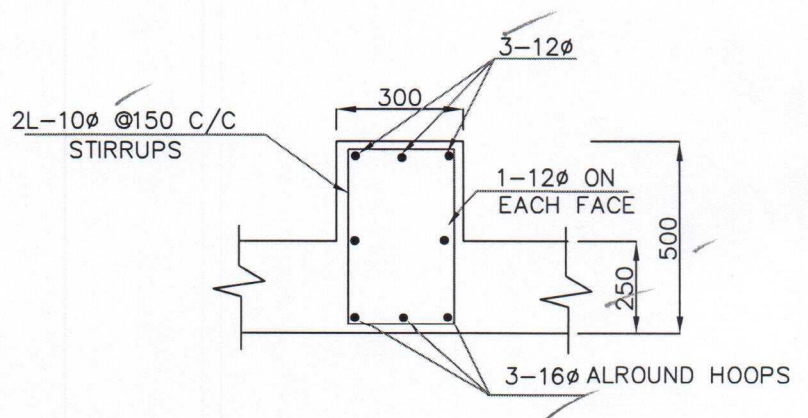
Government of Telangana.	
Rural Water Supply & Sanitation Department	
Construction of 15 KL capacity OHSR/OHBR 12m staging column type	
Scale: Not to scale	sheet: 4 of 8



SECTION A-A



BOTTOM REINFORCEMENT OF RING FOUNDATION
SBC - 7.5T/m²



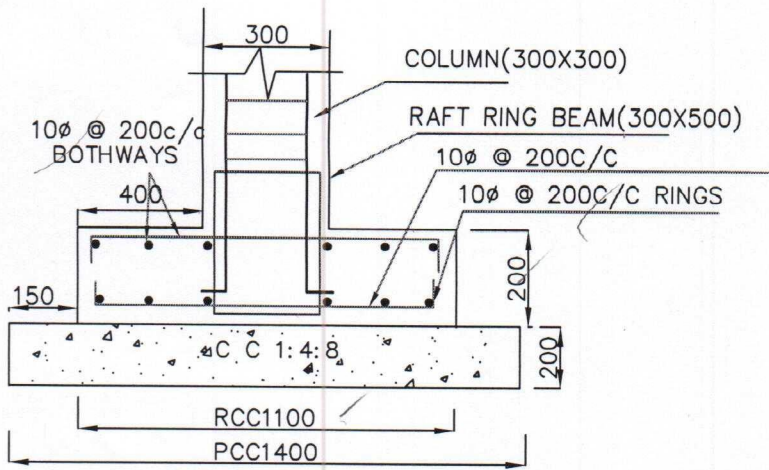
SECTION OF RING RAFT BEAM

|| APPROVED ||

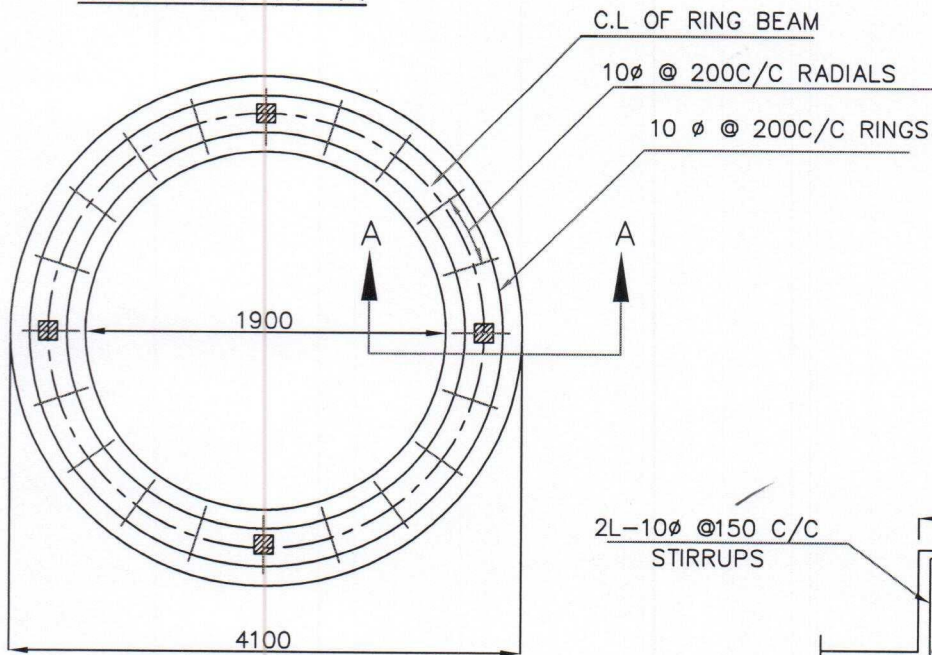
G. Nagesh
12/4/17
Phy
CE-1, CE-11, CE-111
TDWSP, Hyderabad.

12/4
12/4
12/4
12/4/17
EE

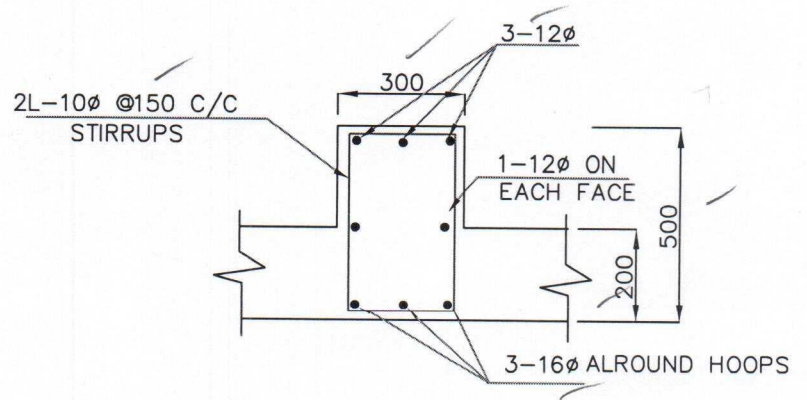
Government of Telangana.	
Rural Water Supply & Sanitation Department	
Construction of 15 KL capacity OHSR/OHBR 12m staging column type	
Scale: Not to scale	sheet: 5 of 8



SECTION A-A



BOTTOM REINFORCEMENT OF RING FOUNDATION
SBC -15T/m²



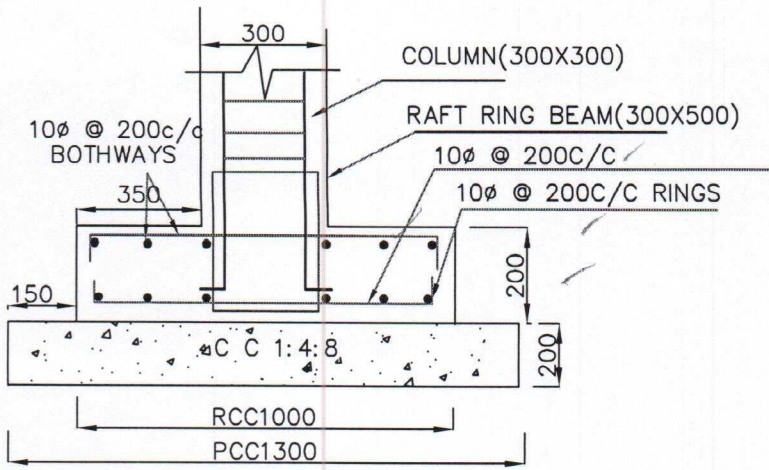
SECTION OF RING RAFT BEAM

|| APPROVED ||

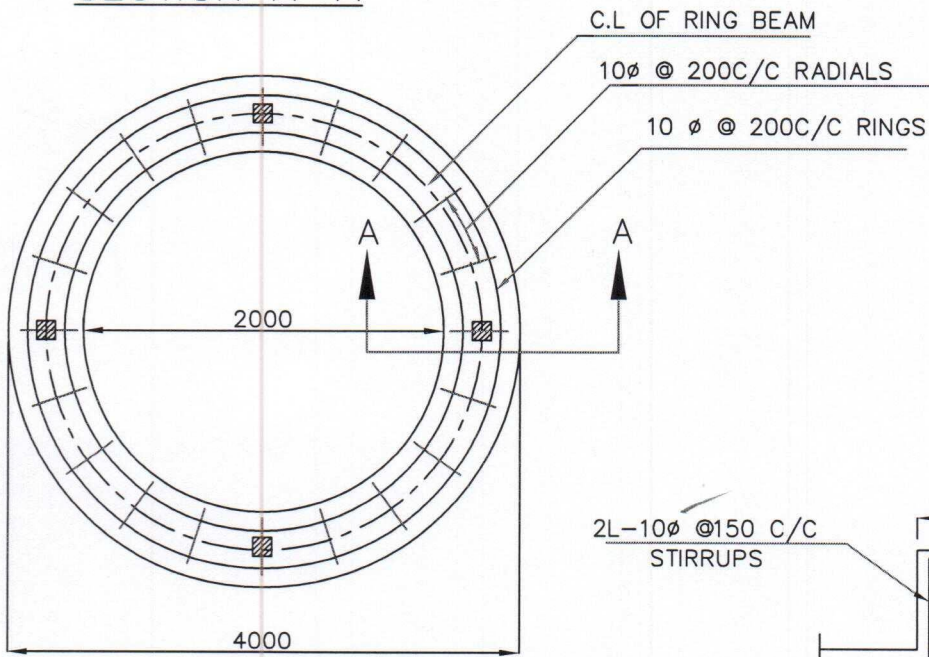
CE-I, CE-II, CE-III
TDWSP, Hyderabad.

12/1/12
12/1/12
12/1/12
12/1/12
12/1/12
12/1/12
12/1/12
12/1/12

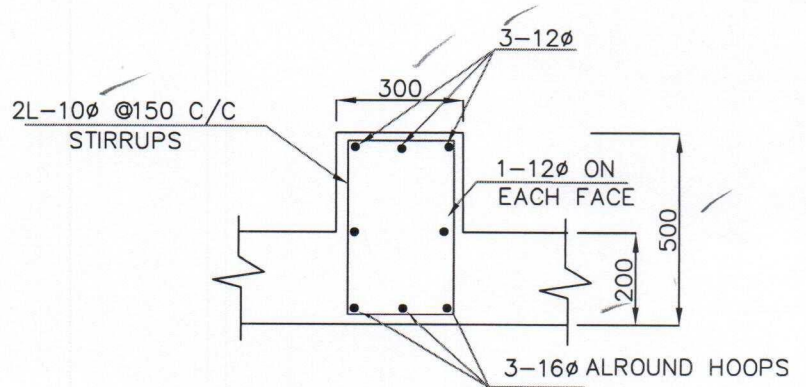
Government of Telangana.	
Rural Water Supply & Sanitation Department	
Construction of 15 KL capacity OHSR/OHBR 12m staging column type	
Scale: Not to scale	sheet: 6 of 8



SECTION A-A



BOTTOM REINFORCEMENT OF RING FOUNDATION
 SBC -20T/m²



SECTION OF RING RAFT BEAM

|| APPROVED ||

Q. Jinnat
 CE-I, CE-II, CE-III
 TOWSP, Hyderabad
12/4/17
12/4/17
12/4/17
12/4/17
12/4/17
12/4/17

Government of Telangana.	
Rural Water Supply & Sanitation Department	
Construction of 15 KL capacity OHSR/OHBR 12m staging column type	
Scale: Not to scale	sheet: 7 of 8

